

STEFANIE H.
WEILL
C E N T E R

FOR THE PERFORMING ARTS

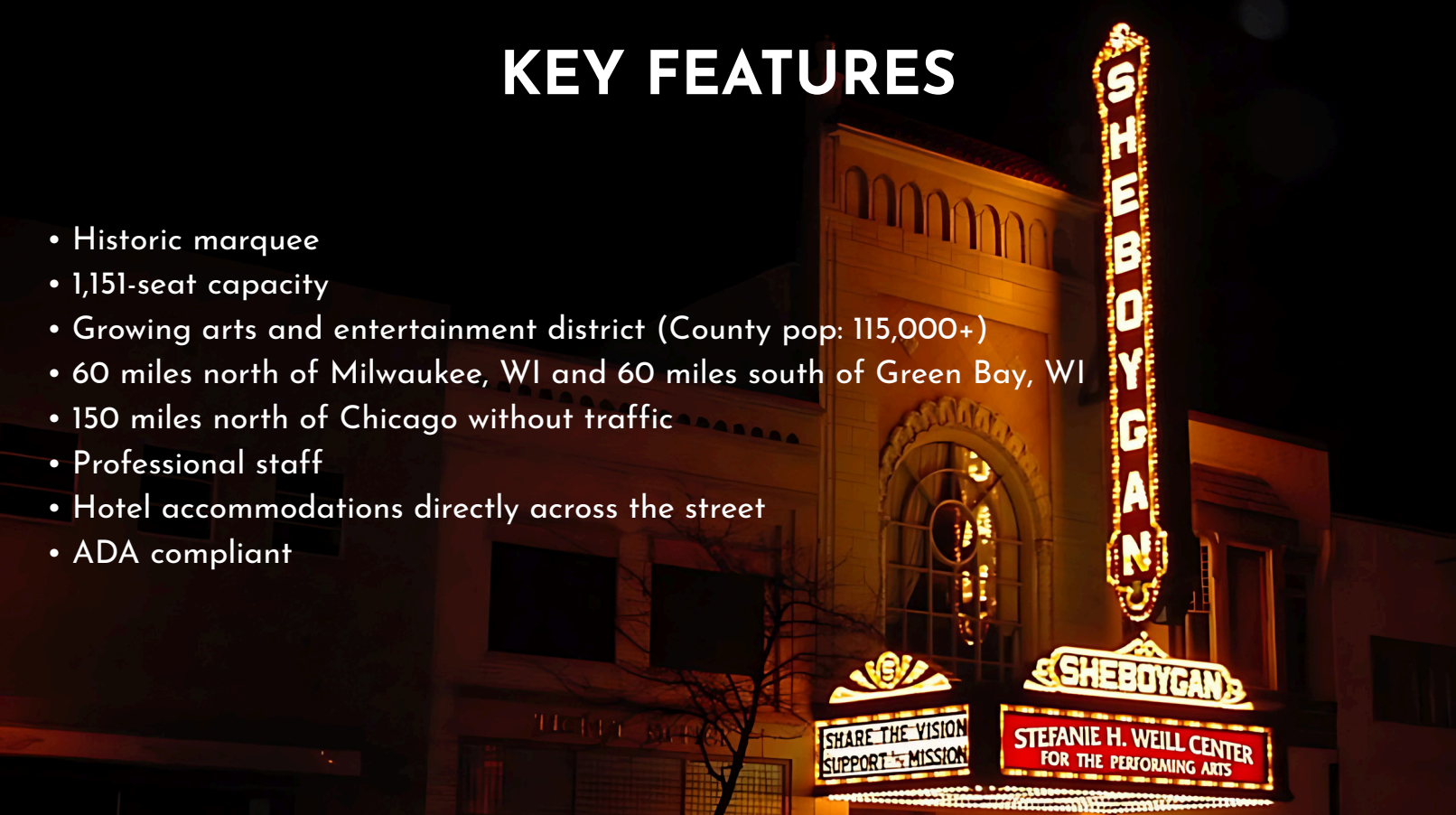
WHO WE ARE

A photograph of a grand theater interior. The stage is illuminated with warm lights, and a large red and gold striped curtain hangs above it. The architecture is ornate, featuring classical columns and decorative elements. The audience seating is visible in the foreground, consisting of rows of red seats. The overall atmosphere is one of a historic and elegant performance space.

- 501(c)3 non-profit theater
- Presenting venue
- Listed on the National Register of Historic Places
- Nearly 30,000 patrons each season
- 140+ days of utilization each season (except 2020)
- 2024 Tourism Gem of the Year Award Winner

KEY FEATURES

- Historic marquee
- 1,151-seat capacity
- Growing arts and entertainment district (County pop: 115,000+)
- 60 miles north of Milwaukee, WI and 60 miles south of Green Bay, WI
- 150 miles north of Chicago without traffic
- Professional staff
- Hotel accommodations directly across the street
- ADA compliant



NATIONALLY TOURING ACTS

LIVE MUSIC

COMEDY

MUSICALS

BROADWAY

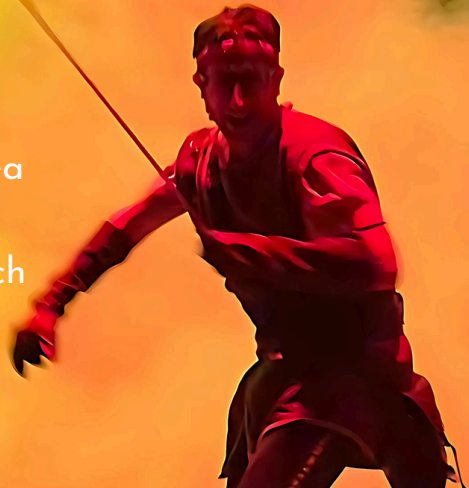
DANCE

TRIBUTES

MARTY STUART
AND HIS FABULOUS SUPERLATIVES

Recent shows include: Marty Stuart & His Fabulous Superlatives, Broadway's Rock of Ages Band, Belinda Carlisle, Guster, Scotty McCreery, Shane & Shane, Emo Orchestra, The Righteous Brothers, Bored Teachers Comedy Tour, Trampled by Turtles, The Pop 2000s Tour Feat. Chris Kirkpatrick of *NSYNC, Jesus Christ Superstar

FAMILY SERIES



- School Performances & Public Performances
- 4,000+ students each season from Sheboygan Area School District & surrounding schools
- Study guides provided for an educational approach & STEAM FOCUS
- Interactive entertainment for all ages

MOVIE SERIES

Includes:

- Film screenings and premieres
- Actor/director talk-backs & appearances
- Surround sound
- Interactive experiences



ARTIST SPACES - FRONT OF HOUSE

Lobby

Merch selling and signing



The Righteous Brothers

Historic Balcony

VIP guests and/or meet and greets

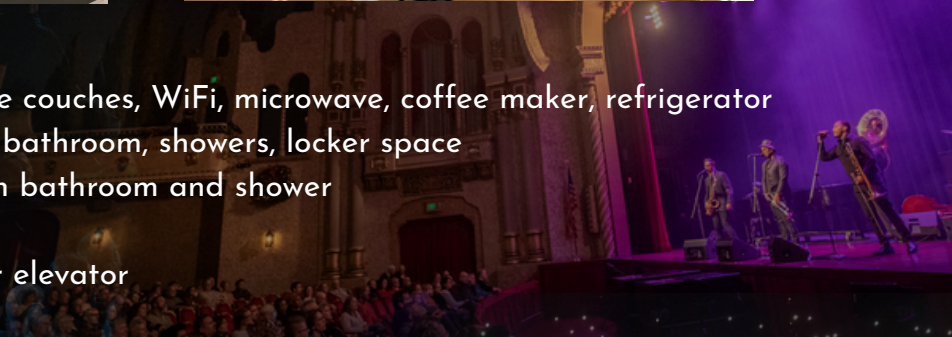


O-Town

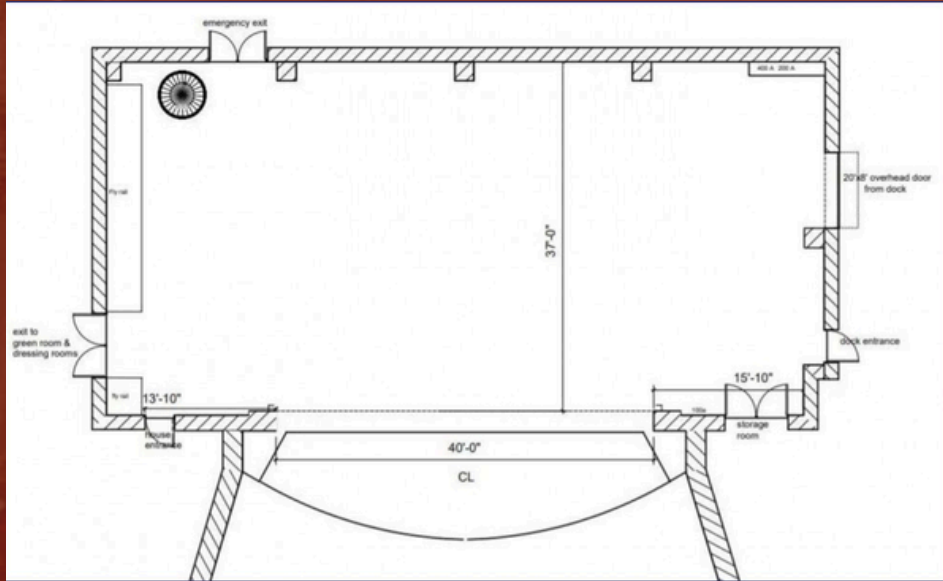
ARTIST SPACES - BACK OF HOUSE



- Green room complete with three couches, WiFi, microwave, coffee maker, refrigerator
- Two group dressing rooms with bathroom, showers, locker space
- Two private dressing rooms with bathroom and shower
- Production office
- All can be accessed by stairs or elevator



TECH INFO



In-house expertise:

- Production Manager
- Tech Director
- Lighting Director
- Audio Manager
- Stage Manager
- Stagehands
- Professional Grade Lighting & Audio Systems

For full tech specs visit weillcenter.com/rentals/tech

WHAT THE FANS ARE SAYING



"Lovely experience and beautiful venue. Looking forward to future shows".

"The Weill Center has wonderful shows for all ages. Highly recommend!"

"Beautiful architecture inside really gives an old-time theatre vibe. Definitely going back with the family to take it all in."

"I have yet to be disappointed by the talent offered."

"Great show in a very beautiful theater! What a friendly and helpful staff. We had a great time, and are looking forward to our next visit!"

GET IN TOUCH

KATY GLODOSKY
EXECUTIVE DIRECTOR
(920) 208-0808 X 106
KGLDOSKY@WEILLCENTER.COM
WWW.WEILLCENTER.COM

